

THIS DOCUMENT AND ALL INFORMATION THEREIN CONTAINED
 ARE OUR EXCLUSIVE PROPERTY. THE RECIPIENT AGREES
 NOT TO REPRODUCE, COPY, USE OR TRANSMIT THIS DOCUMENT
 AND/OR THE INFORMATION THEREIN CONTAINED FOR
 ANY PURPOSE EXCEPT WITH OUR WRITTEN PERMISSION

DRAWING CREATED ISO STANDARDS

FÜR DIESE ZEICHNUNG BEHALTEN WIR
 UNS ALLE RECHTE NACH DIN 34 FÜR

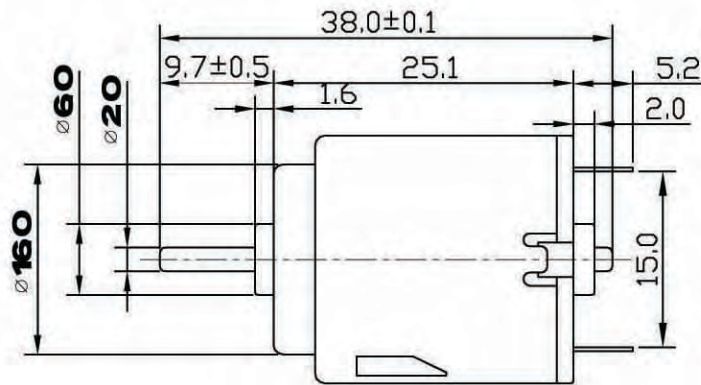
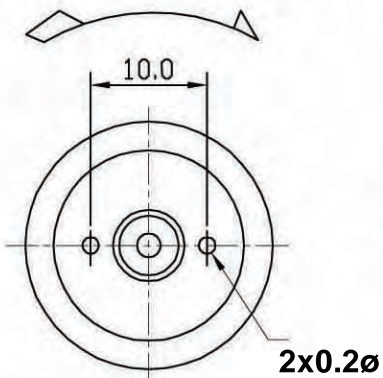
版次 : A

| 未注公差 | | | 圆角半径和倒角高度 | | |
|-------|------|--------|-----------|------|------|
| 0~6 | 6~30 | 30~120 | 0~3 | 3~6 | 6~30 |
| ±0.06 | ±0.1 | ±0.2 | ±0.2 | ±0.5 | ±0.8 |

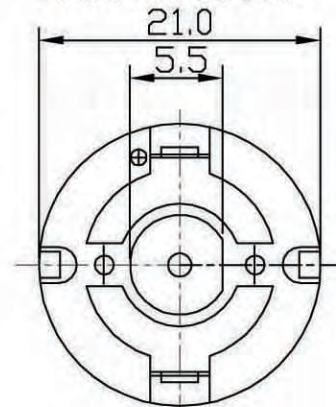
MODEL: HS-RE140-2270 (RoHS)

VOLTAGE: 3.0 VDC

DIRECTION OF ROTATION



两端子间加恒定电压



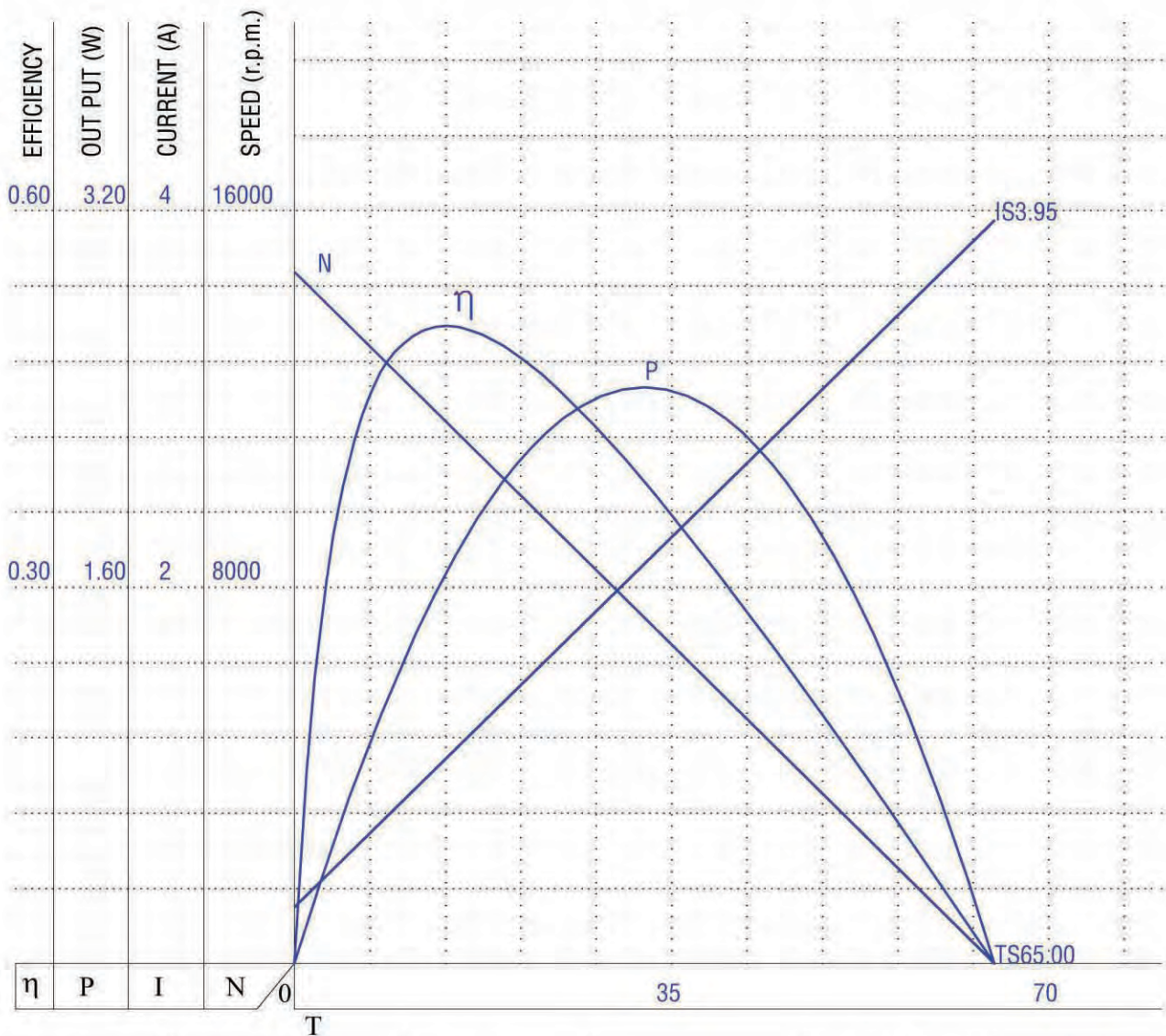
| | | | |
|------------------------------|----|-----------|--|
| TITLE: 外形装配图 | A4 | DRAWER: | |
| MATERIAL: | | CHECKER: | |
| MODEL: R140 | | APPROVER: | |
| DO NOT SCALE THE DAWING | | | |
| DRAWING NO: A080314-1 | | | |

MODEL: HS-RE140-2270 (ROHS)

VOLTAGE: 3.00 VDC

| | | |
|---------------------------------------|--------------------------------------|--------------------------------|
| LENGTH OF SHAFT (A): 38.0 mm (±0.1) | FRONT EXTENSION (B): 9.7 mm (±0.5) | NOISE: 60 1/2 dBA / inch(Max) |
|---------------------------------------|--------------------------------------|--------------------------------|

| NO LOAD | | LOAD EFFICIENCY(APPROX) | | | | | STALL | |
|----------------|---------------|-------------------------|---------------|-----------------|---------------|------------------|---------------|-----------------|
| SPEED (r.p.m.) | CURRENT (A) | SPEED (r.p.m.) | CURRENT (A) | TORQUE (g.cm) | OUT PUT (W) | EFFICIENCY (%) | CURRENT (A) | TORQUE (g.cm) |
| 14700 ±10% | 0.30 MAX. | 11524 | 1.08 | 14.10 | 1.65 | 50.82 | 3.95 MAX. | 65.00 MIN. |



| | | | | | |
|----------|-----------|------------|---|-------------|------------|
| CUSTOMER | A080314-1 | REVISION | A | DATE | 2008-03-14 |
| DRAWN BY | | CHECKED BY | | APPROVED BY | |