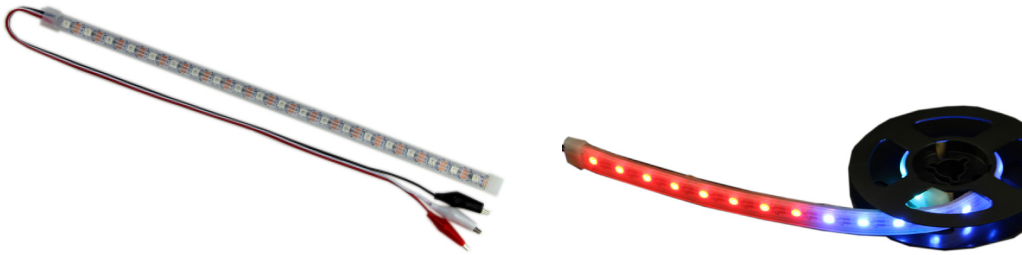


RoHS
Compliant



Features

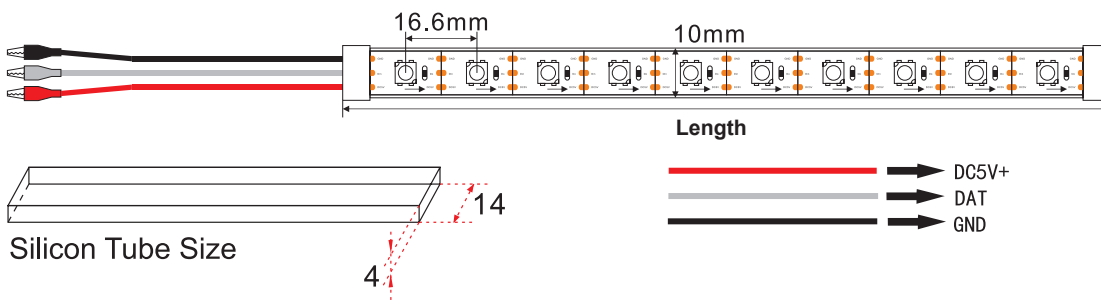
- Control IC included, supporting numerous colour change effects.
- Controlled by SD controller, DMX512, Artnet.
- Flexible PCB 5V low voltage input.
- PCB Colour: White
- Absolutely addressable, each IC built inside RGB LED.
- MP-703-1065: 400mm Red, White and Black wires terminated with insulated alligator clips.
- MP005294 & MP005295: 150mm Red, White and Black wires terminated with insulated alligator clips.

Specifications

Light Source	: SMD 5050 RGB
Beam Angle	: 120°
LED Quantity	: 20 leds / 330mm
Pixel Pitch (mm)	: P16.6mm
Emitting Colour	: Full colour
Operating Voltage	: DC5V
Power (W)	: 14.4w/m (max)
PCB Colour	: White
IP Level	: IP65
Luminance Per 1m	: R:24000 G:42000 B:11400 (60 leds)

Part No.	Size (L×W)	Length
MP-703-1065	330mm × 10mm	1/3m / 330mm (20 LED'S)
MP005294	500mm × 10mm	1/2m / 500mm (30 LED'S)
MP005295	1000mm × 10mm	1m / 1000mm (60 LED'S)

Outline Dimension

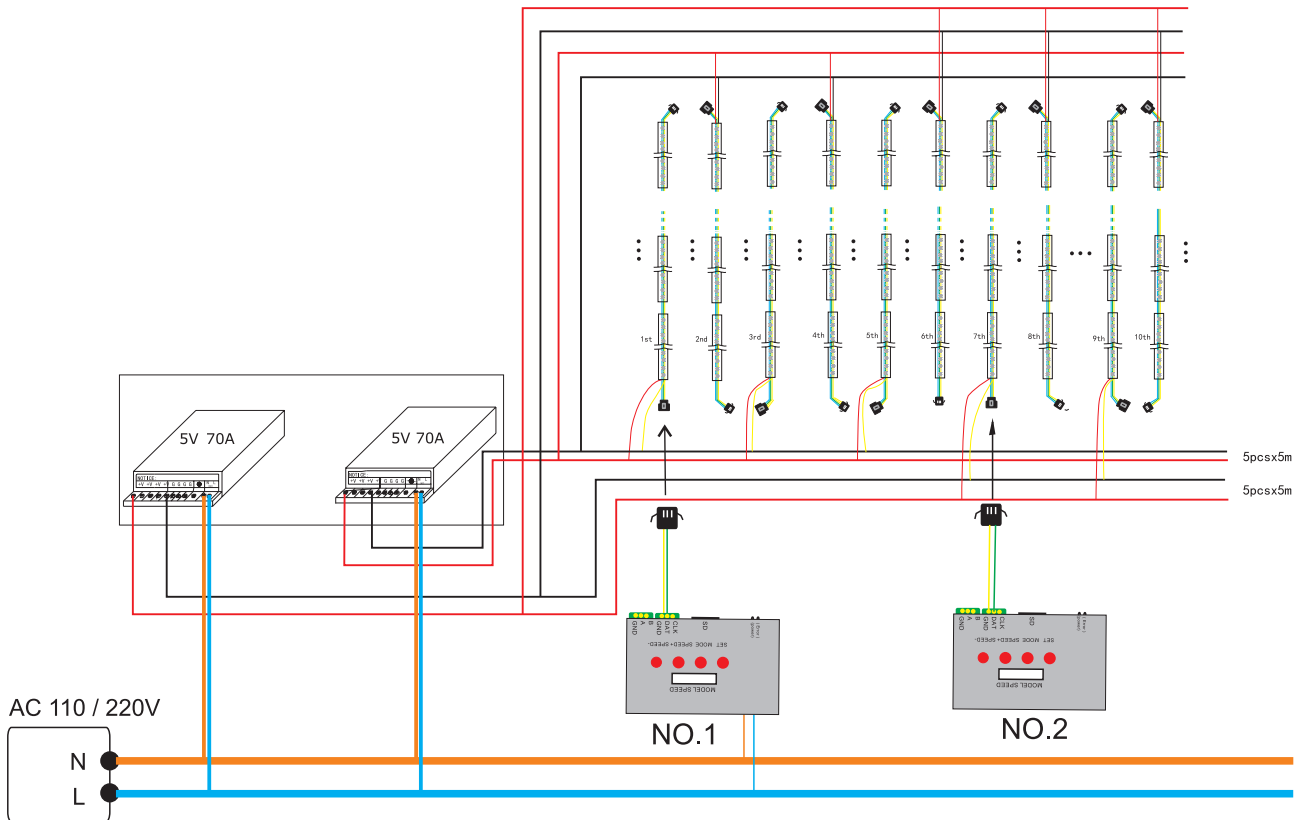


20 leds/m



Arrow following each LED on PCB, signifies the signal transmit direction

Connection Drawing



Part Number Table

Description	Part Number
Digital RGB LED Strip, 20 LEDs, 330mm	MP-703-1065
Digital RGB LED Strip, 30 LEDs, 500mm	MP005294
Digital RGB LED Strip, 60 LEDs, 1m	MP005295

Important Notice : This data sheet and its contents (the "Information") belong to the members of the AVNET group of companies (the "Group") or are licensed to it. No licence is granted for the use of it other than for information purposes in connection with the products to which it relates. No licence of any intellectual property rights is granted. The Information is subject to change without notice and replaces all data sheets previously supplied. The Information supplied is believed to be accurate but the Group assumes no responsibility for its accuracy or completeness, any error in or omission from it or for any use made of it. Users of this data sheet should check for themselves the Information and the suitability of the products for their purpose and not make any assumptions based on information included or omitted. Liability for loss or damage resulting from any reliance on the Information or use of it (including liability resulting from negligence or where the Group was aware of the possibility of such loss or damage arising) is excluded. This will not operate to limit or restrict the Group's liability for death or personal injury resulting from its negligence. Multicomp Pro is the registered trademark of Premier Farnell Limited 2019.